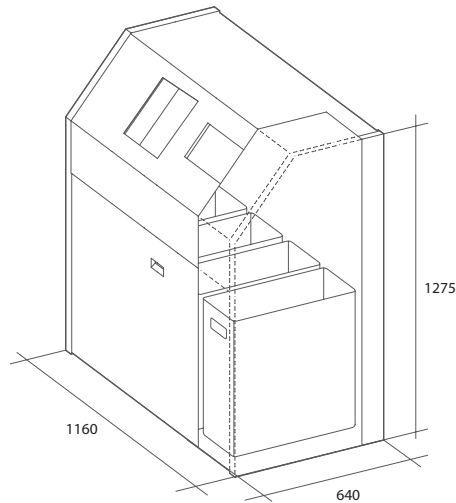
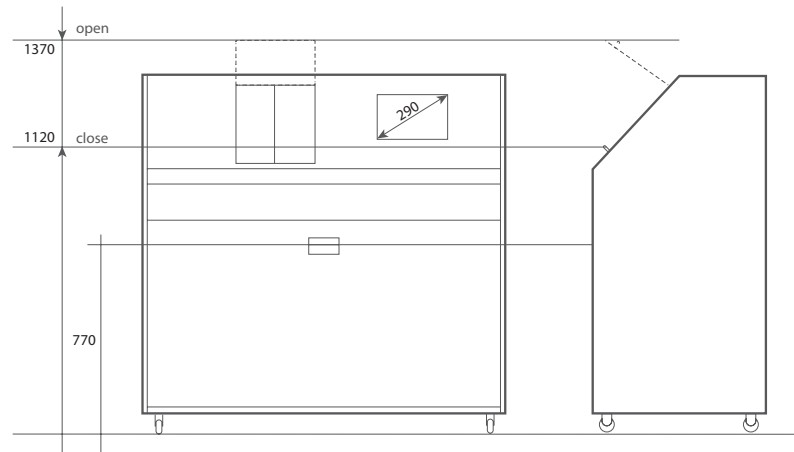


# TECHNICAL SHEET



## Dimensions - casing

height (net)	127 cm
width (net)	116 cm
depth (net)	64 cm
height (gross)	140 cm
width (gross)	130 cm
depth	70 cm
recognition chamber opening	23,5 cm x 21 cm
recognition chamber depth	33 cm
recognition chamber volume	~ 15 L (15,39 dm <sup>3</sup> )
height to recognition chamber opening	87 cm
height to front cover handle	76 cm



## Inner bins

height (net)	50 cm
width (net)	25 cm
depth (net)	60 cm
capacity per bin	60 L (0,06 m <sup>3</sup> ) net
weight	3,8 kg per bin
material	low-density polyethylene plastic
approximate capacity	
Glass	16,2 kg
Plastic	1,7 kg
Paper	2,2 kg
Metal	3,5 kg

## Touchscreen

size	10.1 inch
resolution	1280 x 800 px
matrix	LTC IPS
certification	RoHS

## Other

weight (net)	120 kg
weight (gross)	140 kg
electrical supply & current	230 V/0,20 ~ 0,35 A
power consumption	~ 1,15 kWh/day
frequency	50 Hz
average sound	58 dB/50 dB (super silent)
maximal sound	73 dB/68 dB (super silent)
certification	CE, RoHS
indoor conditions temperature	5 - 45 °C
storage and transportation temperature	20 - 50 °C
Security	electrical protection from unauthorized access, mechanical protection of electrical-electronic parts